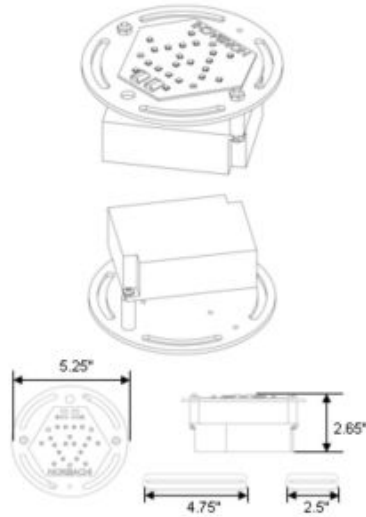


RZIPPY-021-B-MT-CW



Product Information

RZippy Kits are a great way to keep your existing fixture while upgrading your lighting to LED! They come with mounting tabs that allow the LED plates to be easily mounted in virtually any fixture from downlights to parking lot lights. Upgrade your lighting today with Noribachi's Zippy Kits! The RZippy-021 retrofit kit can be used in Arealight, Bollard, Canopy, Cobrahead, Downlight, Floodlight, Post Top and Wallpack lighting fixtures.

Uses:
LED Retrofits

Performance Ratings and Certifications

UL 1598c
UL 8750
CSA C22.2#250.0
CSA C22.2#250.13

Performance Summary

Lumens:3147 lm
Lumens Per Watt:106.1LPW
Power Consumption:29.66 W
Light Engine:L70 Rated Lifetime of 100,000+ hours.
CRI:Minimum 74 CRI.
CCT:Cool White LEDs (5700K typ.)
Manufactured in the U.S. with parts from U.S. and imported

Fixture Information

Housing:Aluminum 3003
Mounting:Universal mounting kit with four 2.5" and four 4.75" magic tabs.
Diffusion:None.
Dimensions: 5.25" x 5.25" x 2.65"
Weight: 1.06 lbs.
Shipping Weight: 2.81 lbs.
Fits in Luminaries with Internal Dimensions: 5.25" - 13" x 5.25" - 13" x 3" (minimum)
Standard Beam Angle: 120 Degrees

Electrical System Characteristics / Data

AC Input:Standard AC input: 120VAC - 277VAC
FCC:Title 47, Part 2, Part 15, Class A
EM:Compliance to EN55015, EN55022(CISPR22) Class B, EN61000-3-2 Class C(60% load);
EN61000-3-3 EM Immunity:Compliance to EN61000-4-2,3,4,5,6,8,11, EN61547,EN55024, light industry level (surge 4KV), criteria A
Withstand Voltage:I/P-O/P:3.75KVAC I/P-FG:2KVAC O/PFG:1.5KVAC
Isolation Resistance:I/P-O/P, I/P-FG, O/P-FG:100M Ohms/500VDC / 25 / 70% RH
Power Factor:PF > 0.99/120VAC, PF > 0.92/277VAC
Total Harmonic Distortion:THD < 20%
Standard Surge Protection:All-Around Protection: OVP, SCP, OLP.

Warranty

Standard limited 5-year warranty. Optional 10-year warranty available. See details at www.Noribachi.com.

Performance Specifications

Electrical Load

Light Engine	Drive Current (Amps@120VAC)	Drive Current (Amps@277VAC)	System Power (Watts)*
RZIPPY-021-B-CW-MT	0.25	0.11	29.66

* ideal wattage

Operating Characteristics (Typical @5700 CCT)

Light Engine	Lumens (Medium Dist)	Input Power (Watts)	Lumens per Watt	Replaces
RZIPPY-021-B-CW-MT	3147	29.66	106.1	75 - 125W

ELECTRICAL CHARACTERISTICS AND PERFORMANCE DATA VERIFIED BY NATIONALLY RECOGNIZED TESTING LABS (NRTL). FOR FULL REPORTS AND RESULTS, VIS IT WWW.NORIBACHI.COM/REPORTS. ALL SPECIFICATIONS SUBJECT TO CHANGE WITHOUT NOTICE. ALL VALUES TYPICAL UNLESS OTHERWISE NOTED. LUMEN VALUES MAY VARY BY +/-10%. COLOR TEMPERATURE MAY VARY ACCORDING TO ANSI C78.377.

