

FLOODLIGHT.A



LED LIGHT ENGINE

- Rated life of 100,000+ hours
- Operating temp: -30° C to +60° C
- No toxic chemicals/ROHS compliant
- ETL certified, meets UL and CSA standards
- Eligible for Rebates
- 50-90% energy savings
- Manufactured in the USA

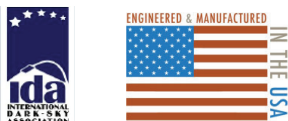
INSTALLATION

- Licensed electrician required
- Contact Noribachi for additional support

WARRANTY

- 5 year manufacturer's warranty
- 10 year manufacturer's warranty optional
- US manufacturing and quality control

CERTIFICATIONS



APPEARANCE

HOUSING	LENS	MOUNTING	DIFFUSION
<ul style="list-style-type: none"> • BRONZE • CUSTOM 	<ul style="list-style-type: none"> • TEMPERED GLASS 	<ul style="list-style-type: none"> • GROUND 	<ul style="list-style-type: none"> • NONE

FIXTURE INFORMATION

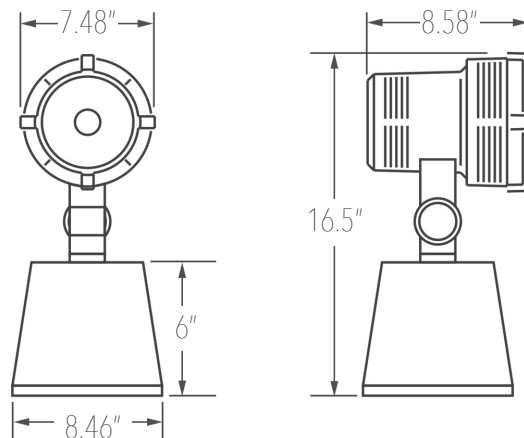
- IP Rating 66

ELECTRICAL CHARACTERISTICS

- Standard AC input: up to 480 VAC
- EMI filter: 47CFR, part 2, part 15
- Power factor: >.9
- Total harmonic distortion: <20%
- Surge protection: IEC/EN 61000-4-5 EMC test standard

DIMENSIONS

LENGTH: 8.46"
 WIDTH: 8.58"
 HEIGHT: 16.5"
 MOUNT HEIGHT: 6"
 LIGHT WIDTH: 7.48"



FLOODLIGHT.A

AVAILABLE LIGHT ENGINES



021.HEX

<i>DRIVE CURRENT</i>	<i>WATTAGE</i>	<i>REPLACES</i>	<i>LUMEN OUTPUT</i>	<i>CATALOG #</i>
A	21W	50-125W	3,129lm	HEX-021-A-CW-MT-FLA
B	32W	75-175W	4,431lm	HEX-021-B-CW-MT-FLA