

WALLPACK.K



FIXTURE CODE: **WPK**

LIGHT ENGINE RETROFITS

- L70 Rated life of 100,000+ hours
- Minimum CRI: 70; Custom CRI available upon request.
- Operating temp: -30° C to +60° C
- No toxic chemicals/ROHS compliant
- ETL certified, meets UL and CSA standards
- Eligible for Rebates
- 50-90% energy savings
- Manufactured in the USA

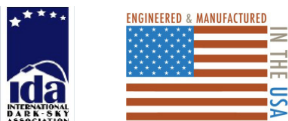
INSTALLATION

- Licensed electrician required
- Contact Noribachi for additional support

WARRANTY

- 5-year manufacturer's warranty
- **10YR** - Optional 10-year manufacturer's warranty
- U.S. manufacturing and quality control

CERTIFICATIONS



APPEARANCE

| HOUSING | LENS | MOUNTING | DIFFUSION |
|---|--|---|--|
| <ul style="list-style-type: none"> • DARK BRONZE • COL - CUSTOM | <ul style="list-style-type: none"> • TEMPERED GLASS | <ul style="list-style-type: none"> • SURFACE | <ul style="list-style-type: none"> • NONE |

ELECTRICAL CHARACTERISTICS

- Standard AC input: up to 480 VAC
- EMI filter: 47CFR, part 2, part 15
- Power factor: >.9
- Total harmonic distortion: <20%
- Surge protection: IEC/EN 61000-4-5 EMC test standard

OPTIONAL UPGRADES

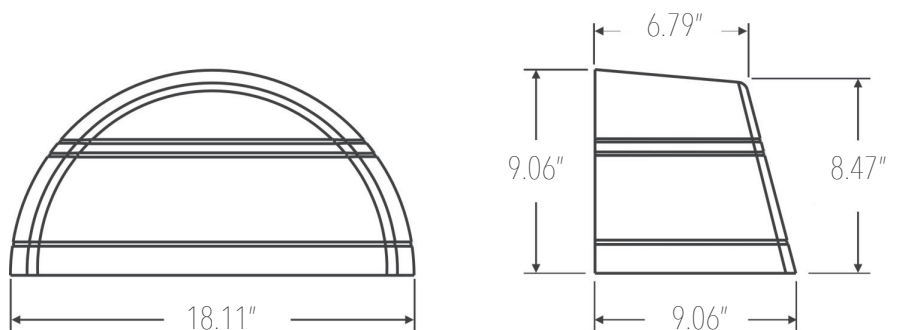
- **OS** - Occupancy Sensor

OPTIONAL BEAM SPREAD AND TYPE DISTRIBUTION

- **80D** - Optional 80° Beam Spread

DIMENSIONS

LENGTH: 18.11"
 DEPTH: 9.06"
 TOP DEPTH" 6.79"
 HEIGHT: 9.06"
 FRONT HEIGHT: 8.47"



WALLPACK.K

AVAILABLE LIGHT ENGINE RETROFITS



HEX-021

| <i>DRIVE CURRENT</i> | <i>WATTAGE</i> | <i>REPLACES</i> | <i>LUMEN OUTPUT</i> | <i>CATALOG #</i> |
|----------------------|----------------|-----------------|---------------------|---------------------|
| A | 21W | 50-125W | 3,129lm | HEX-021-A-CW-MT-WPK |
| B | 32W | 75-175W | 4,431lm | HEX-021-B-CW-MT-WPK |

HEX-042

| <i>DRIVE CURRENT</i> | <i>WATTAGE</i> | <i>REPLACES</i> | <i>LUMEN OUTPUT</i> | <i>CATALOG #</i> |
|----------------------|----------------|-----------------|---------------------|---------------------|
| A | 42W | 100-200W | 6,258lm | HEX-042-A-CW-MT-WPK |
| B | 63W | 125-300W | 8,862lm | HEX-042-B-CW-MT-WPK |