

Daylight Harvest Sensor

All products feature Noribachi's exclusive Bespoke Engineered and Specifically Tailored (BEST) manufacturing methodology.

CATALOG #:	TYPE:
PROJECT:	
COMMENTS:	DATE:
PREPARED BY:	

PRODUCT



Order Code: DHS

Product Information

The daylight harvest sensor (**DHS**) enables daylight regulation and dimming when no presence is detected.

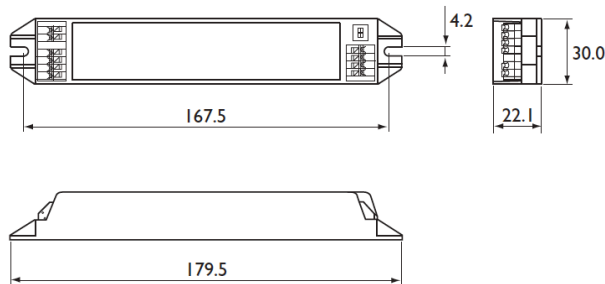
Specifications

- Enables daylight regulation and dimming when no presence is detected
- Sensitive to visible radiation only; sensitivity is adjustable
- Adjustable delay time setting
- Operating Temperature Range: 5°C to 55°C (sensor); 0°C to 55°C (controller)

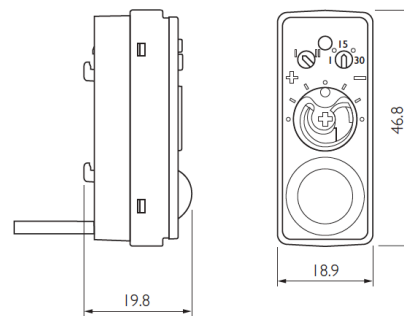
Availability

- HIGHBAY Series
- LOWBAY Series
- Max Troffer

DIMENSIONS



Controller (MM)



Sensor (MM)

WHEN APPROVED, THE SPECIFICATIONS OUTLINED IN THIS SPEC SHEET SHALL BECOME THE SPECIFICATION FOR THE MATERIAL TO BE DELIVERED BY NORIBACHI ON THE CITED PROJECT. AN AMENDED SPEC SHEET CAN BE PROVIDED BUT ONLY AFTER WRITTEN APPROVAL BY THE CUSTOMER IS RECEIVED. THIS DOCUMENT IS THE PROPERTY OF NORIBACHI AND CAN ONLY BE USED IN CONNECTION WITH MATERIALS FURNISHED BY NORIBACHI. ©2015