

Handle Yoke Mount

All products feature Noribachi's exclusive Bespoke Engineered and Specifically Tailored (BEST) manufacturing methodology.

CATALOG #:	TYPE:
PROJECT:	
COMMENTS:	DATE:
PREPARED BY:	

PRODUCT



Order Code: HY

Product Information

The Handle Yoke Mount (**HY**) is an optional mounting upgrade available for some of our LED lighting fixtures.

Specifications

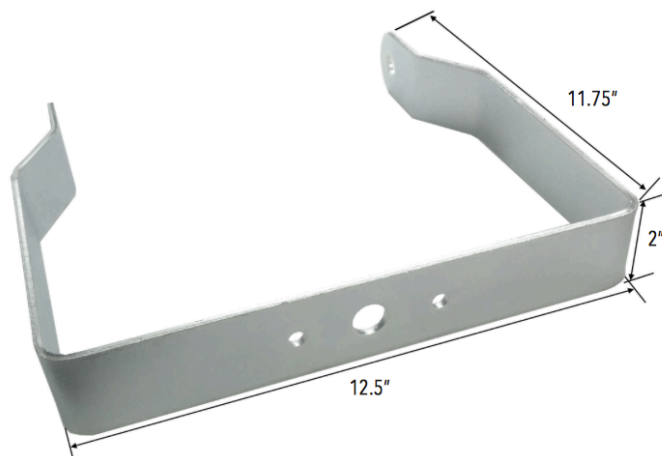
- Includes "No Tools Needed" Aiming Adjustment

Availability

- FLOODLIGHT.XXL
- SHOEBOX.L
- SHOEBOX.M

DIMENSIONS

Dimensions shown for FLOODLIGHT.XXL mounting option



WHEN APPROVED, THE SPECIFICATIONS OUTLINED IN THIS SPEC SHEET SHALL BECOME THE SPECIFICATION FOR THE MATERIAL TO BE DELIVERED BY NORIBACHI ON THE CITED PROJECT. AN AMENDED SPEC SHEET CAN BE PROVIDED BUT ONLY AFTER WRITTEN APPROVAL BY THE CUSTOMER IS RECEIVED. THIS DOCUMENT IS THE PROPERTY OF NORIBACHI AND CAN ONLY BE USED IN CONNECTION WITH MATERIALS FURNISHED BY NORIBACHI. ©2015