



HBS

FIXTURE APPEARANCE

HOUSING	LENS
<ul style="list-style-type: none"> GREY 	<ul style="list-style-type: none"> TEMPERED GLASS

ELECTRICAL CHARACTERISTICS

- Standard AC input: 120-277VAC
- EMI filter: 47CFR, part 2, part 15
- Power factor: >.9
- Total harmonic distortion: <20%
- Surge protection: IEC/EN 61000-4-5 EMC test standard

LIGHT ENGINE RETROFITS

- L70 Rated life of 100,000+ hours
- Minimum CRI: 70
- Operating temp: -30° C to +60° C
- No toxic chemicals/ROHS compliant
- ETL certified, meets UL and CSA standards
- Eligible for Rebates
- 50-90% energy savings
- Manufactured in the USA

OPTIONAL UPGRADES

- RGBW - Red/Green/Blue/White light engine
- SCOL-[R, G, B] - Custom Color
- HVI - High Voltage (480V) option for up to 150W
- COL-[RAL] - Custom Fixture Color
- MARINE - Marine Grade Coating
- EPOXY - Epoxy Coating
- CORD6 - 6' 16/3 600V STW Cord
- L515P-L830 - Twist Lock Plugs
- WET - Wet Rating
- FR - Frosted Lens
- WG - Wire Guard
- 010V - 010V Dimming
- STEP - Step Dimming (Up to 100W)
- STEP100 - Step Dimming (100- 299W)
- BLD [%] - Bi-Level Dimming
- LVDIM - Line Voltage Dimming
- EM - Emergency Battery Backup
- EMC - Emergency Battery Backup Cold
- OS - Occupancy Sensor
- OOS - Outdoor Occupancy Sensor
- PC1 - 120V Button Photocell
- PC2 - 240V Button Photocell
- DHS - Daylight Harvesting Sensor
- SGR1 - 100V -277V Surge Protector
- SGR2 - 480V Surge Protector
- PUL - Pulse Wireless Controller
- 80D - 80degree Beam Angle Optics
- 10YR - Optional 10 year warranty

MOUNTING

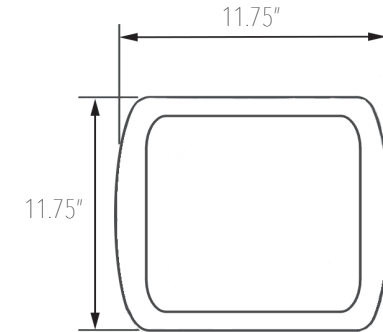
- H3/4 - Malleable Hook with 3/4 NPS Thread
- Bracket

AVAILABLE LIGHT ENGINE RETROFIT CONFIGURATIONS

LED COUNT	WATTAGE	DELIVERED LUMENS	ORDER CODE
42	63.4W	7,278lm	042-HBS-[optional upgrades]-[mounting]
63	92.1W	10,590lm	063-HBS-[optional upgrades]-[mounting]
84	135.7W	11,070lm	084-HBS-[optional upgrades]-[mounting]

FIXTURE DIMENSIONS

WIDTH: 11.75"
 LENGTH: 11.75"
 HEIGHT: 6"



INSTALLATION

- Licensed electrician required
- Contact Noribachi for additional

WARRANTY

- 5-year manufacturer's warranty
- U.S. manufacturing and quality control

CERTIFICATIONS

