

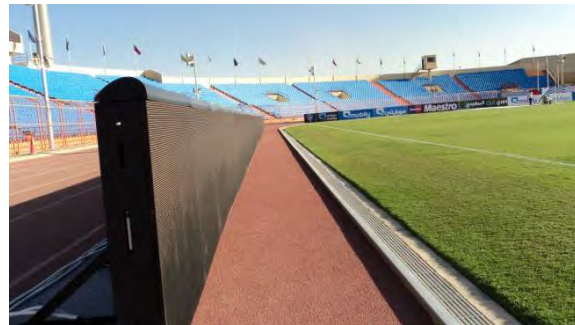
Mojave LED Display Series

The Mojave LED Display series is a high-quality perimeter lining display panel solution. The ability to tilt the angle of the display delivers wide and directed viewing angles. The high contrast ratio and high refresh rate guarantees an optimal experience for the viewer and maximum impact for your message. No mounting is required for the tile stand providing easy set-up by simply place and secure entire display to the ground.

This series is perfect for lining sporting fields, tracks, concert areas as well as a variety of other outdoor parameters.

Great option for:

- Sporting Events
- Stadiums
- Concert Halls
- Staging
- Outdoor Walkways
- Outdoor Venues
- & countless other options



Pixel Pitch

- 8 mm
- 10 mm
- 12 mm
- 16 mm

Brightness

- 5500 nits
- 6000 nits
- 8500 nits
- Adjustable

Resolution Capabilities

- HD
- 2K
- 4K

View Distance

- 24 ft +
- 30 ft +
- 36 ft +
- 48 ft +

IP Rating

- Front – IP65
- Back – IP54
- Weather proof

Mounting Options

- Stacked
- Ground placement
- Ground support included
- Tile to tile mounting hardware included

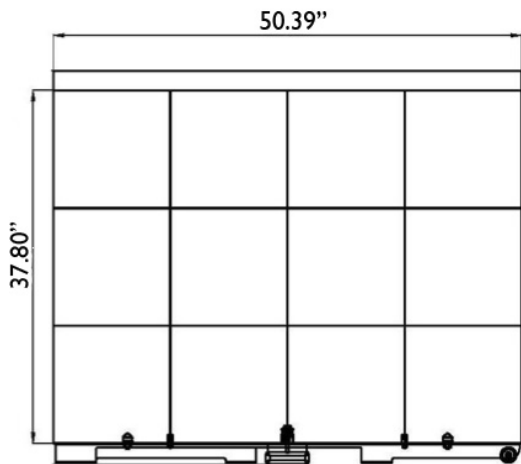
Tile Size

- 47.2" x 35.4"
- 11.63 ft²
- 50.4" x 37.8"
- 13.24 ft²
- 60.5" x 35.3"
- 14.85 ft²

Warranty

- 6-Year Warranty - Includes labor
- 15-Month Lease to Upgrade Option
- 36-Month Lease to Own Option

Mojave 8P - 13A



Front Module Matrix

Design

Screen size (area)	13.24 ft ²
Tile Size (WxHxD)	50.39" x 37.80" x 5.55"
Aspect ratio	4:3
Tile Weight	115 lbs
Cabinet Material	Steel
IP Rating	Front IP65 / Back IP54
Operating Temperature/Hum	14F - 131F / 10-90% RH
Viewing Angle	H: 140; V: 140
Lifetime	>100,000 hours

Picture Quality

Pixel Pitch	8 mm
Resolution	160 x 120 pixels
Refresh Rate	2000 Hz
Contrast Ratio	3000:1
Brightness	6000 nits
Pixel Density	19,200 pixels

LED Features

Color Temperature	2000K - 9300K Adjustable
LED type	SMD3535

Electrical Characteristics

Power Consumption	374 W/Tile TYP / 1122 W/Tile MAX
Amp Draw	See Performance Specs
Power Supply Options	120 VAC std / 277 & 480 VAC Option
Tile Interconnect Cable	RJ45 Cable
Control Input	DVI, HDMI, USB
Accessories Included	RJ45 Connectors, HDMI-DVI, USB.B-USB

Specifications and tile cabinet appearance subject to change without notice. All values typical unless otherwise noted. Visit www.Noribachi.com for more information. ©2016

Mojave 10P - 11A



Design

Screen size (area)	11.63 ft ²
Tile Size (WxHxD)	47.24" x 35.43" x 6.18"
Aspect ratio	4:3
Tile Weight	84 lbs
Cabinet Material	Aluminum
IP Rating	Front IP65 / Back IP54
Operating Temperature/Hum	14F - 131F / 10-90% RH
Viewing Angle	H: 140; V: 140
Lifetime	>100,000 hours

Picture Quality

Pixel Pitch	10 mm
Resolution	120 x 90 pixels
Refresh Rate	2000 Hz
Contrast Ratio	3000:1
Brightness	5500 nits
Pixel Density	10,800 pixels

LED Features

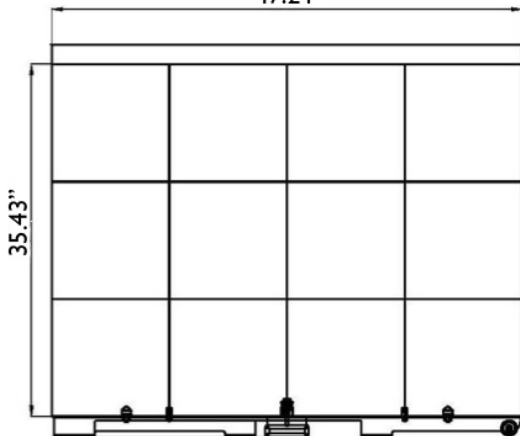
Color Temperature	2000K - 9300K Adjustable
LED type	SMD3535

Electrical Characteristics

Power Consumption	288 W/Tile TYP / 864 W/Tile MAX
Amp Draw	See Performance Specs
Power Supply Options	120 VAC std / 277 & 480 VAC Option
Tile Interconnect Cable	RJ45 Cable
Control Input	DVI, HDMI, USB
Accessories Included	RJ45 Connectors, HDMI-DVI, USB.B-USB



47.24"



Front Module Matrix

Specifications and tile cabinet appearance subject to change without notice. All values typical unless otherwise noted. Visit www.Noribachi.com for more information. ©2016

Mojave I2P - I1A



Design

Screen size (area)	11.63 ft ²
Tile Size (WxHxD)	47.24" x 35.43" x 6.18"
Aspect ratio	4:3
Tile Weight	84 lbs
Cabinet Material	Aluminum
IP Rating	Front IP65 / Back IP54
Operating Temperature/Hum	14F - 131F / 10-90% RH
Viewing Angle	H: 140; V: 140
Lifetime	>100,000 hours

Picture Quality

Pixel Pitch	12 mm
Resolution	96 x 72 pixels
Refresh Rate	2000 Hz
Contrast Ratio	3000:1
Brightness	5500 nits
Pixel Density	6,912 pixels

LED Features

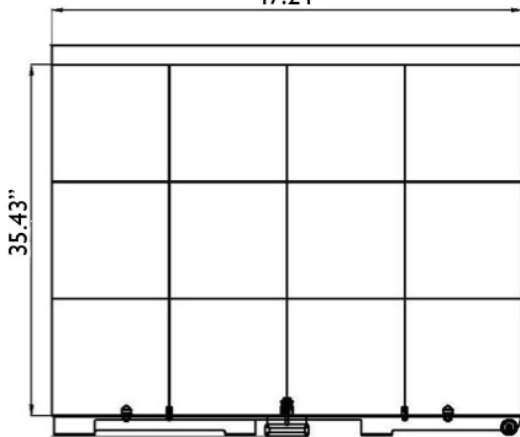
Color Temperature	2000K - 9300K Adjustable
LED type	SMD3535

Electrical Characteristics

Power Consumption	288 W/Tile TYP / 864 W/Tile MAX
Amp Draw	See Performance Specs
Power Supply Options	120 VAC std / 277 & 480 VAC Option
Tile Interconnect Cable	RJ45 Cable
Control Input	DVI, HDMI, USB
Accessories Included	RJ45 Connectors, HDMI-DVI, USB.B-USB



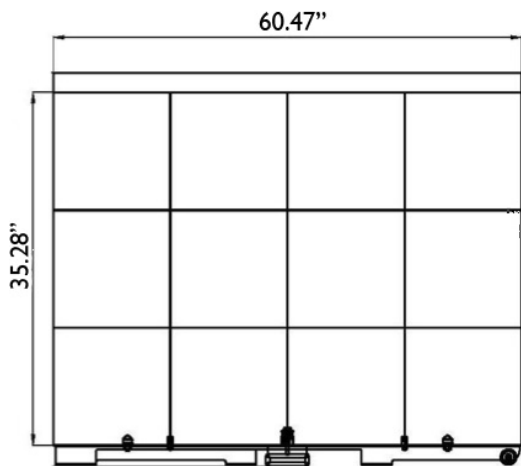
47.24"



Front Module Matrix

Specifications and tile cabinet appearance subject to change without notice. All values typical unless otherwise noted. Visit www.Noribachi.com for more information. ©2016

Mojave I6P - I4A



Front Module Matrix

Design

Screen size (area)	14.85 ft ²
Tile Size (WxHxD)	60.47" x 35.28" x 5.91"
Aspect ratio	12:7
Tile Weight	176 lbs
Cabinet Material	Aluminum
IP Rating	Front IP65 / Back IP54
Operating Temperature/Hum	-4F - 122F / 10-90% RH
Viewing Angle	H:120 ; V:60
Lifetime	>100,000 hours

Picture Quality

Pixel Pitch	16 mm
Resolution	96 x 56 pixels
Refresh Rate	>1020 Hz
Contrast Ratio	2000:1
Brightness	8500 nits
Pixel Density	5,376 pixels

LED Features

Color Temperature	2000K - 9300K Adjustable
LED type	DIP346

Electrical Characteristics

Power Consumption	223 W/Tile TYP / 672 W/Tile MAX
Amp Draw	See Performance Specs
Power Supply Options	120 VAC std / 277 & 480 VAC Option
Tile Interconnect Cable	RJ45 Cable
Control Input	DVI, HDMI, USB
Accessories Included	RJ45 Connectors, HDMI-DVI, USB.B-USB

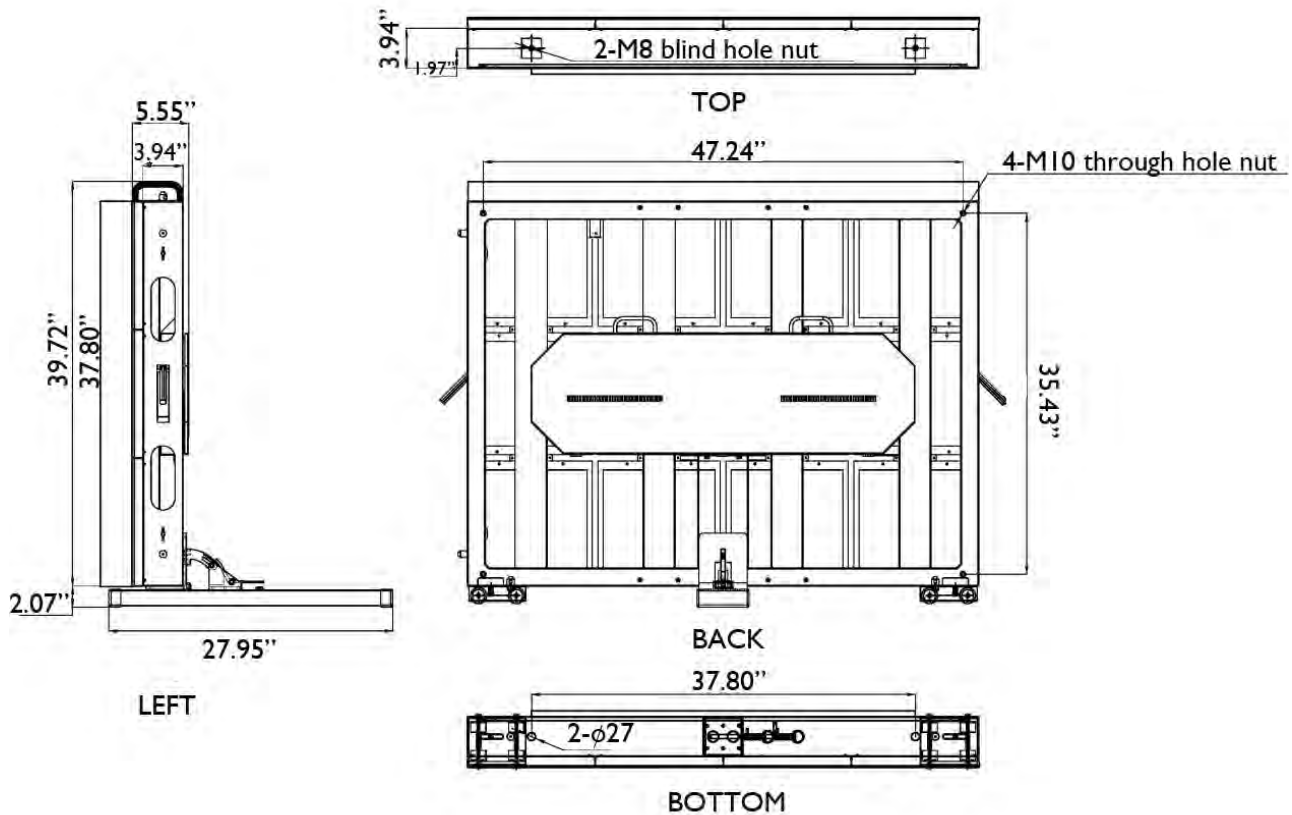
Specifications and tile cabinet appearance subject to change without notice. All values typical unless otherwise noted. Visit www.Noribachi.com for more information. ©2016

Physical Attributes – IIA

Mojave 10P & 12P

Mounting

- 4 M10 through holes in the corners of the display
- Included tile stand with 36 degree tilting capability
- Mount directly to other tiles using included hardware
- Mount directly to wall using customer's hardware
- Studs on top and sides of tiles mate with holes on bottom and sides of tiles respectively to ensure perfect alignment during installation



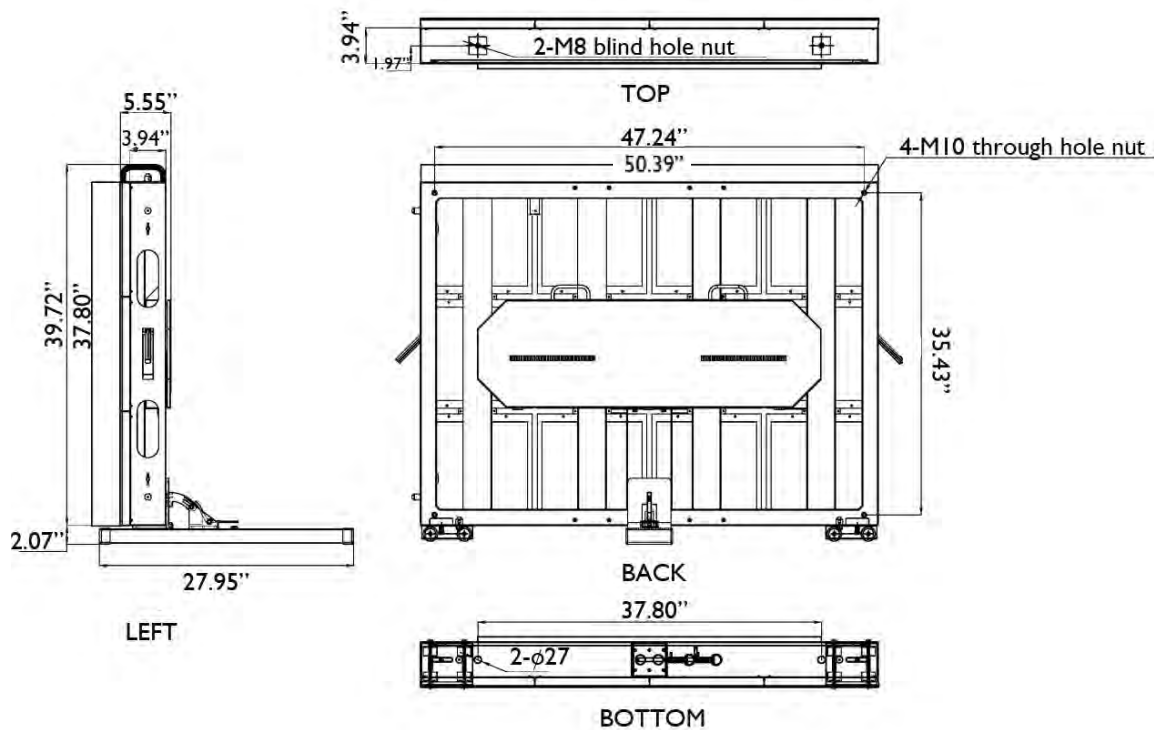
Specifications and tile cabinet appearance subject to change without notice. All values typical unless otherwise noted. Visit www.Noribachi.com for more information. ©2016

Physical Attributes – I3A

Mojave 8P

Mounting

- 4 M10 through holes in the corners of the display
- Included tile stand with 36 degree tilting capability
- Mount directly to other tiles using included hardware
- Mount directly to wall using customer's hardware
- Studs on top and sides of tiles mate with holes on bottom and sides of tiles respectively to ensure perfect alignment during installation



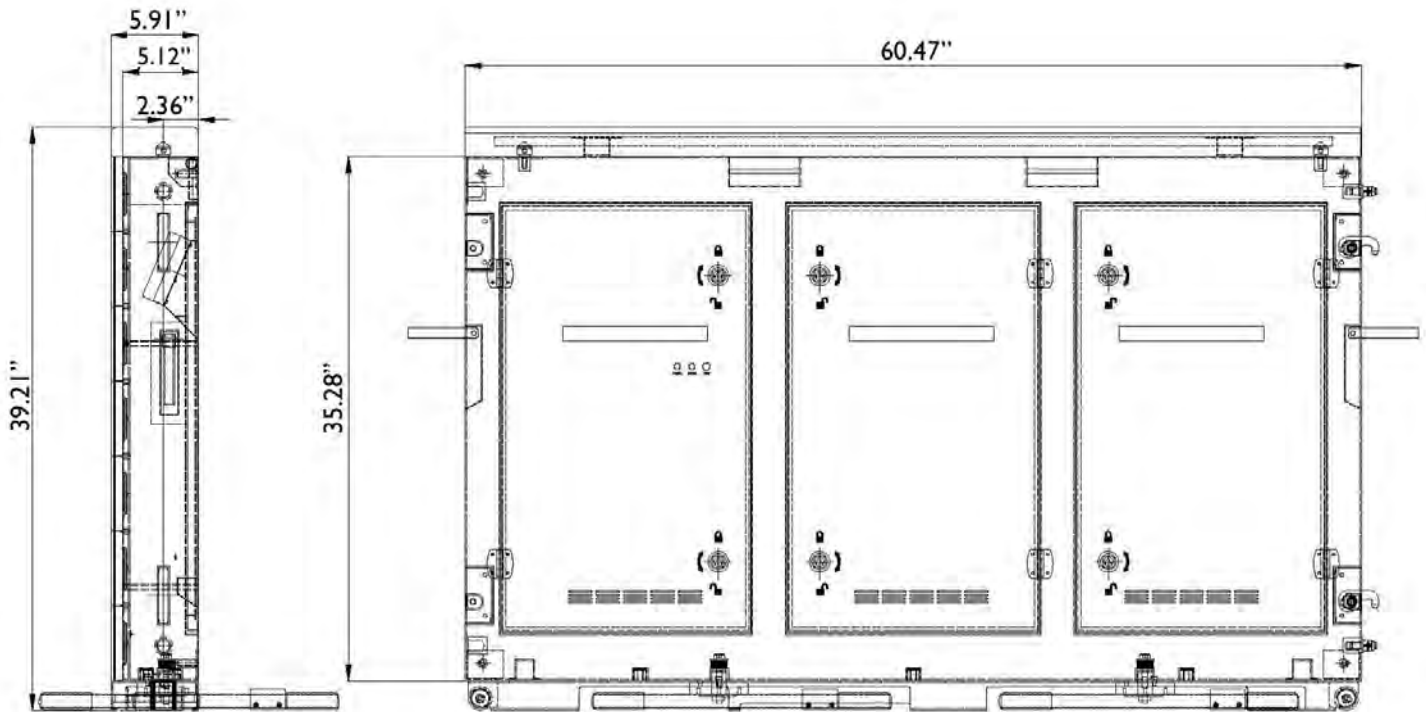
Specifications and tile cabinet appearance subject to change without notice. All values typical unless otherwise noted. Visit www.Noribachi.com for more information. ©2016

Physical Attributes – I4A

Mojave I6P

Mounting

- 4 M10 through holes in the corners of the display
- Included tile stand with 36 degree tilting capability
- Mount directly to other tiles using included hardware
- Mount directly to wall using customer's hardware
- Studs on top and sides of tiles mate with holes on bottom and sides of tiles respectively to ensure perfect alignment during installation



Specifications and tile cabinet appearance subject to change without notice. All values typical unless otherwise noted. Visit www.Noribachi.com for more information. ©2016

System Specifications

Electrical Characteristics

All panels come standard for 100 – 240 VAC input. Optional upgrade to 277 and 480VAC. The driving method is Constant Current. The LED wavelength ranges are R:630-630nm, G:520-535nm, B:465-475nm.

Software and Control Options

Standard Noribachi Software comes with all Noribachi ALiVE display purchases. Software features allow users to create complex timed schedules; use endless media inputs; program videos: URLs; RSS xml files; and date and time options. An optional software upgrade is available for a monthly subscription fee. Upgrade builds on the standard Noribachi software with more media inputs, remote control of displays from central computer and 24/7 customer support. Additional information on the Noribachi software features is located in the Media section of the ALiVE Product Family Brochure.

Maintenance

The Mojave Series can be front serviceable. Meaning the electrical components can be accessed from the front of the tiles.

Video Processor

A Video processor is needed when displaying 2K or greater content. Configurations that need a video processor are outlined for this series in the following Performance Specifications section. Video processor specifications are located in the controls section of the ALiVE Product Family Brochure.

Connecting Tiles

The tiles have through holes in its 4 corners as well as holes in the top and sides of the tile frames. The holes and frame can be used in many ways to either mount the tiles together or on a wall. The media is sent to the tiles and distributed using RJ45 connectors. Virtually unlimited number of tiles can be made into a single video wall. For more Mojave Series information or specific mounting questions, please contact Noribachi Display Support at 855.283.1100.

Performance Specifications

Electrical Load								
Tile Part No.	Drive current (Amps @120VAC)		Drive Current (Amps @277 VAC)		Drive Current (Amps @480VAC)		System Power (Watts)	
	Typ	Max	Typ	Max	Typ	Max	Typ	Max
8P	3.12	9.35	1.35	4.05	0.78	2.34	374	1122
10P	2.40	7.20	1.04	3.12	0.60	1.80	288	864
12P	2.40	7.20	1.04	3.12	0.60	1.80	288	864
16P	1.86	5.60	0.81	2.43	0.46	1.40	223	672

Tiles per Standard 20 Amp Outlet			
Tile Part No.	Tiles @120 VAC	Tiles @277 VAC	Tiles @480 VAC
8P	≤ 2	≤ 4	≤ 8
10P	≤ 2	≤ 6	≤ 11
12P	≤ 2	≤ 6	≤ 11
16P	≤ 3	≤ 8	≤ 14

How to Order

Mojave Series				
Numbering Order	Specification	Required or Optional	Allowed Values	Description
1	Series Name	Required	MOJ	Mojave Series
2	Pixel Pitch	Required	8P	8 mm Pixel Pitch
			10P	10 mm Pixel Pitch
			12P	12 mm Pixel Pitch
			16P	16 mm Pixel Pitch

Sample Order Code
MOJ-8P

Control Configuration Needed (Based on quantity of tiles ordered)			
Tile Part No.	Nori300 Configuration	Nori600 Configuration	Video Processor Configuration
MOJ-8P	1 - 61 Tiles	62 - 103 Tiles	> 103 Tiles
MOJ-10P	1 - 110 Tiles	111 - 184 Tiles	> 184 Tiles
MOJ-12P	1 - 172 Tiles	173 - 288 Tiles	> 289 Tiles
MOJ-16P	1 - 222 Tiles	223 - 370 Tiles	> 370 Tiles

MOJAVE SERIES

ALiVE Product Family Brochure



Specifications and tile cabinet appearance subject to change without notice. All values typical unless otherwise noted. Visit www.Noribachi.com for more information. ©2016