

Saguaro LED Display Series

The Saguaro LED Display series features a thin profile and lightweight tiles. The modular tiles buckle together enabling tool-free connection. The ease of installation along with the displays high contrast ratio and low pixel pitch, makes this a perfect choice for any application.

The Saguaro tiles can be configured in a variety of different ways to create a stage backdrop, a double sided indoor billboard or engaging message board.

Great option for:

- Video Walls
- Churches/Classrooms
- Staging
- Showrooms
- Conventions Centers
- Mobile Display
- Hotels/Banks
- Conference Rooms
- Retail
- Airports/Train Stations
- & countless other applications



Pixel Pitch

- 2 mm

Brightness

- 1200 nits
- Adjustable

Resolution

Capabilities

- HD
- 2K
- 4K

View Distance

- 6 ft+

Mounting Options

- Stacked
- Suspended
- Pole mount
- Wall mount
- Ceiling mount
- Tile to tile mounting hardware included

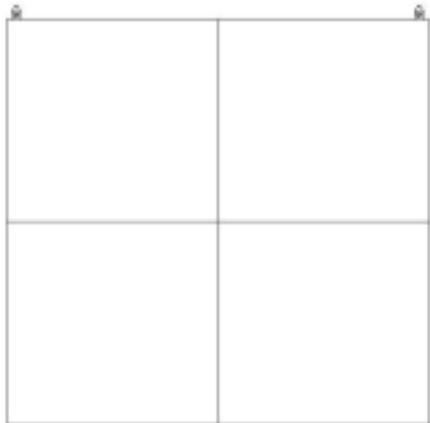
Tile Size

- 19.7" x 19.7"
- 2.69 ft²

Warranty

- 6-Year Warranty - Includes labor
- 15-Month Lease to Upgrade Option
- 36-Month Lease to Own Option

Saguaro 2P - 3A



Front Module Matrix

Design

- Screen size (area) 2.69 ft²
- Tile Size (WxHxD) 19.69" x 19.69" x 3.35"
- Aspect ratio 1:1
- Tile Weight 20.5 lbs
- Cabinet Material Aluminum
- Operating Temperature/Hum 32F - 113F / 10 - 90% RH
- Viewing Angle H:120 ; V:100
- Lifetime >100,000 hours

Picture Quality

- Pixel Pitch 2.6 mm
- Resolution 192 x 192 pixels
- Refresh Rate >1920 Hz
- Contrast Ratio 4000:1
- Brightness 1200 nits
- Pixel Density 36,864 pixels

LED Features

- Color Temperature 6500K
- LED type SMD2121

Electrical Characteristics

- Power Consumption 45 W/Panel TYP / 135 W/Panel MAX
- Amp Draw See Performance Specs
- Power Supply Options 120 VAC std / 277 & 480 VAC Option
- Tile Interconnect Cable RJ45 Cable
- Control Input DVI, HDMI, USB
- Accessories Included RJ45 Connectors, HDMI-DVI, USB.B-USB

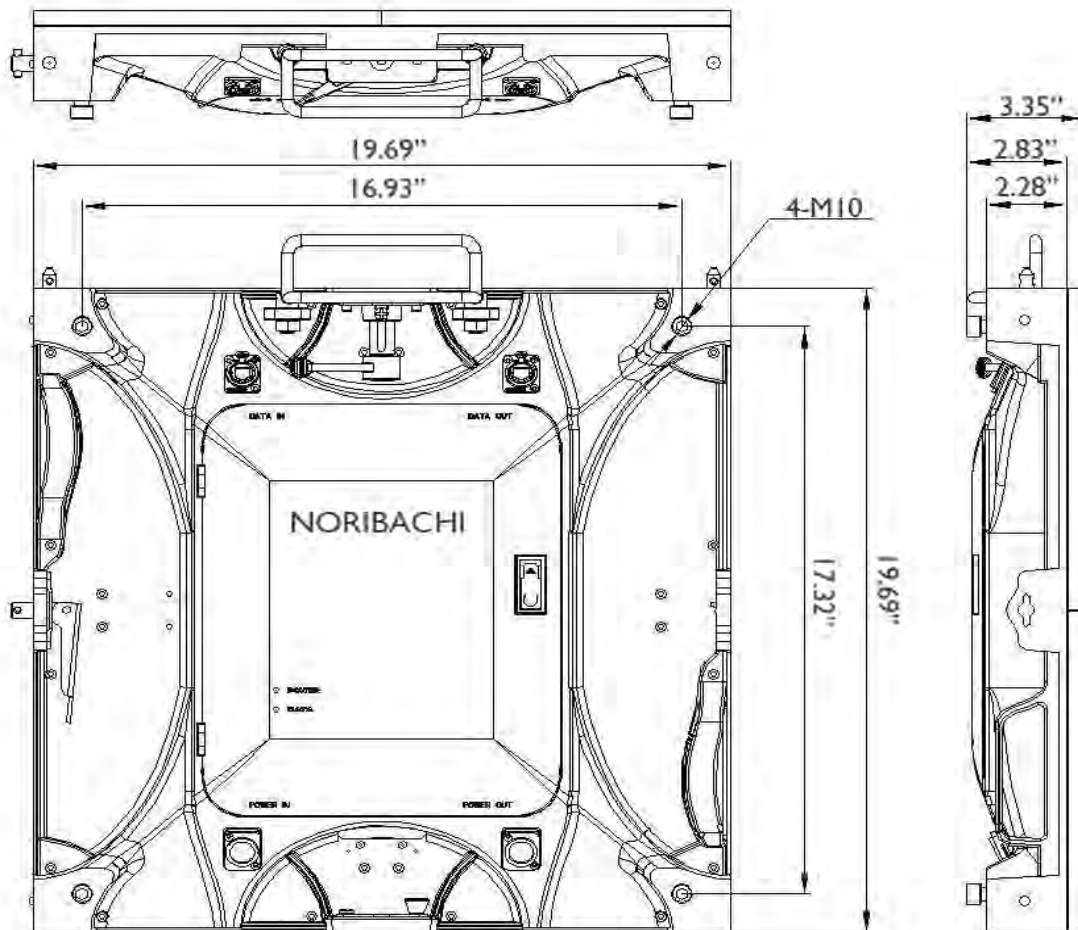
Specifications and tile cabinet appearance subject to change without notice. All values typical unless otherwise noted. Visit www.Noribachi.com for more information. ©2016

Physical Attributes – 3A

Saguaro 2P

Mounting

- 4 M10 size through holes in the corners of the cabinet
- Handle on top can be used to assist in hanging and stability
- Clamps on sides of tiles used to align and lock together adjacent tiles
- Mount directly to other tiles using built in clamps
- Mount directly to wall using customer's hardware
- Studs on top of tiles mate with holes on bottom of tiles ensure perfect alignment during installation



Specifications and tile cabinet appearance subject to change without notice. All values typical unless otherwise noted. Visit www.Noribachi.com for more information. ©2016

System Specifications

Electrical Characteristics

All panels come standard for 100 – 240 VAC input. Optional upgrade to 277 and 480VAC. The driving method is Constant Current. The LED wavelength ranges are R:630-630nm, G:520-535nm, B:465-475nm.

Software and Control Options

Standard Noribachi Software comes with all Noribachi ALiVE display purchases. Software features allow users to create complex timed schedules; use endless media inputs; program videos: URLs; RSS xml files; and date and time options. An optional software upgrade is available for a monthly subscription fee. Upgrade builds on the standard Noribachi software with more media inputs, remote control of displays from central computer and 24/7 customer support. Additional information on the Noribachi software features is located in the Media section of the ALiVE Product Family Brochure.

Maintenance

The Saguaro Series is rear serviceable. Meaning the electrical components can be accessed from the back of the tiles. The cabinets have doors in the rear that open with a key in order to access all electrical components. This adds a measure of safety and security to this durable cabinet.

Video Processor

A Video processor is needed when displaying 2K or greater content. Configurations that need a video processor are outlined for this series in the following Performance Specifications section. Video processor specifications are located in the controls section of the ALiVE Product Family Brochure.

Connecting Tiles

The tiles have 4 M10 holes in the corners that can be used to mount to a scaffolding or the wall. They also have clamps on the sides of the tile frames to align and lock together adjacent tiles. The media is sent to the tiles and distributed using RJ45 connectors. Virtually unlimited number of tiles can be made into a single video wall. For more Saguaro Series information or specific mounting questions, please contact Noribachi Display Support at 855.283.1100.

Performance Specifications

Electrical Load								
Tile Part No.	Drive current (Amps @120VAC)		Drive Current (Amps @277 VAC)		Drive Current (Amps @480VAC)		System Power (Watts)	
	Typ	Max	Typ	Max	Typ	Max	Typ	Max
2P	0.38	1.13	0.16	0.49	0.09	0.28	45	135

Tiles per Standard 20 Amp Outlet			
Tile Part No.	Tiles @120 VAC	Tiles @277 VAC	Tiles @480 VAC
2P	≤ 17	≤ 41	≤ 71

Specifications and tile cabinet appearance subject to change without notice. All values typical unless otherwise noted. Visit www.Noribachi.com for more information. ©2016

How to Order

Saguaro Series			
Numbering Order	Specification	Allowed Values	Description
1	Series Name	SGO	Saguaro Series
2	Pixel Pitch	2P	2.0 mm Pixel Pitch

Sample Order Code

SGO-2P

Control Configuration Needed (Based on quantity of tiles ordered)			
Tile Part No.	Nori300 Configuration	Nori600 Configuration	Video Processor Configuration
SGO-2P	1 - 31 Tiles	32 - 53 Tiles	> 53 Tiles